



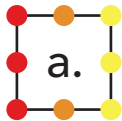
LVLBPX-YY-ZZZZ
Cable/Suspension Mounting
Finished Ceiling/Drywall



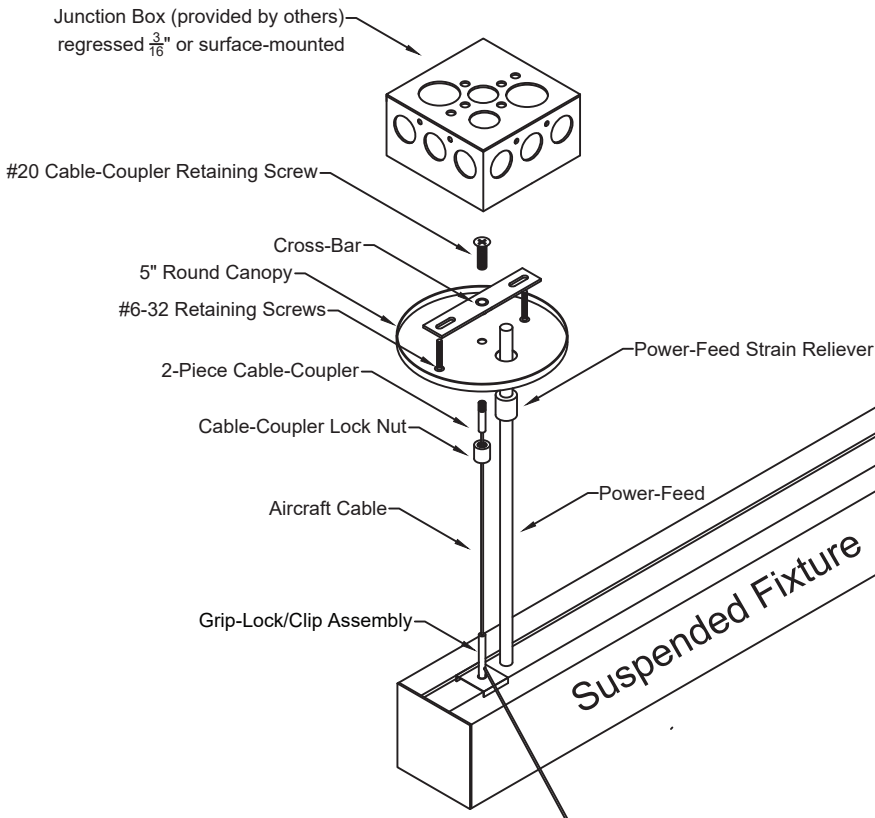
DANGER! Fire or Electrical Shock

Fixture should be installed by a qualified electrician. This fixture is intended for installation according to the National Electrical Code, local & federal code specifications. Disconnect power before servicing. Keep these instructions for maintenance reference.

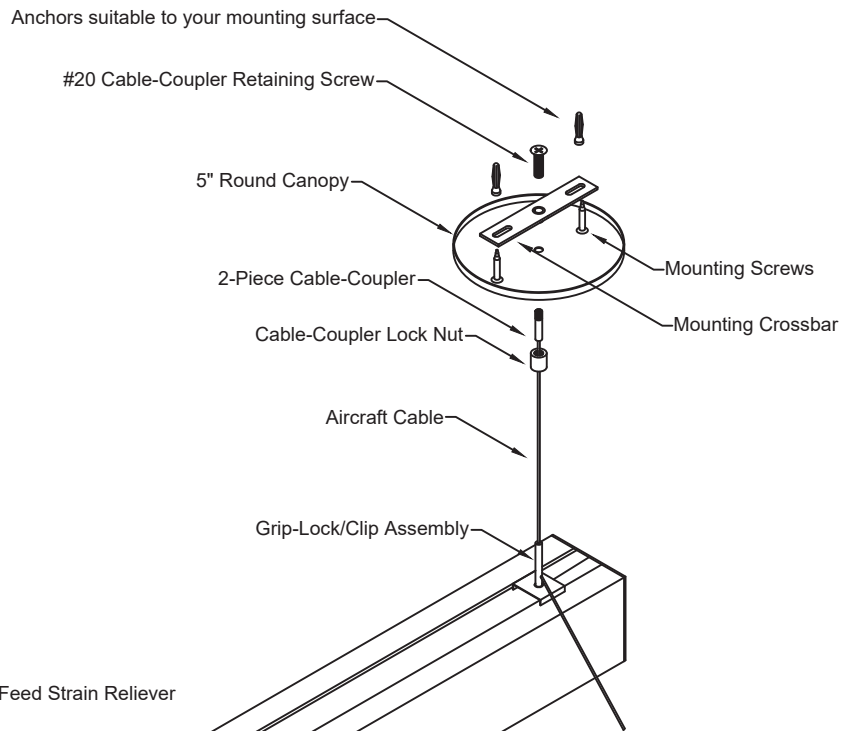
Installation Overview



**Junction Box
Power-Feed Assembly**



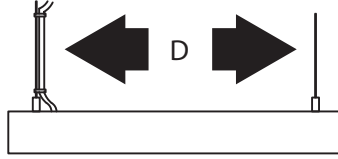
Non Power-Feed Assembly





LVLBPX-YY-ZZZZ
Cable/Suspension Mounting
Finished Ceiling/Drywall

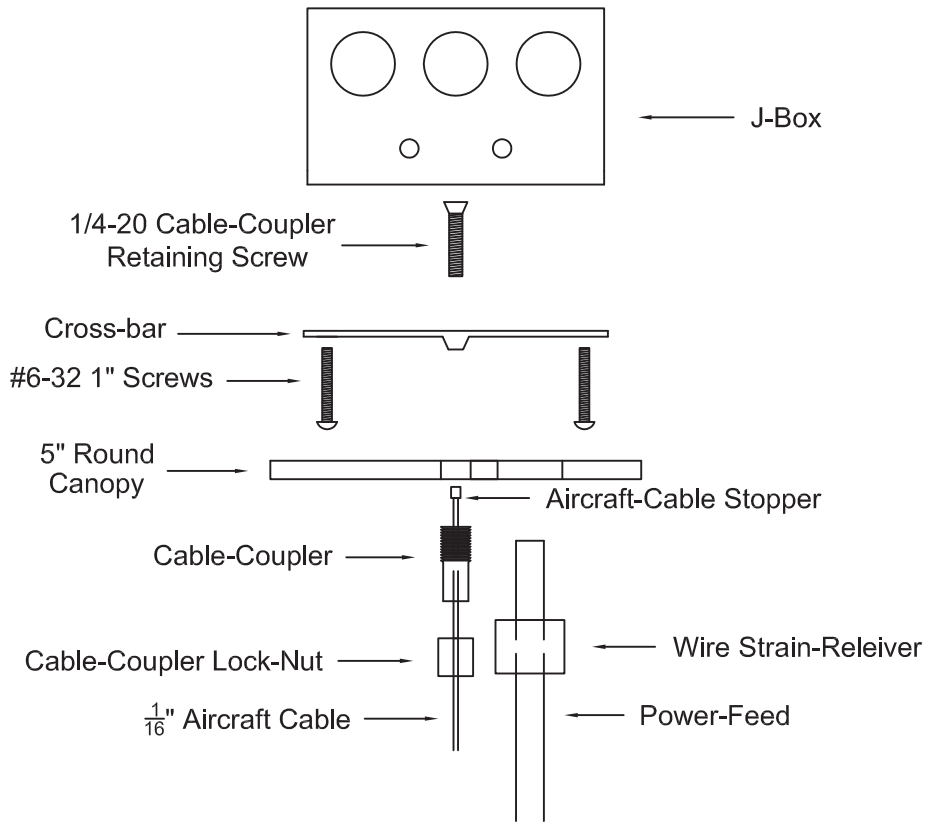
- Determine position for mounting points and regressed J-Box.



Fixture Type	# of Support Cables	Suggested Distance Between Cables
2ft Fixture	2 Cables Total, 1 Power-Feed	20"
4ft Fixture	2 Cables Total, 1 Power-Feed	42"
6ft Fixture	2 Cables Total, 1 Power-Feed	64"
8ft Fixture	2 Cables Total, 1 Power-Feed	86"
12ft Fixture	3 Cables Total, 1 Power-Feed	65"
16ft Fixture	4 Cables Total, 1 Power-Feed	14_3/16""

b. Power-Feed Overview

Note: Reference only!
Junction box needs to be properly anchored in accordance to your installation type.

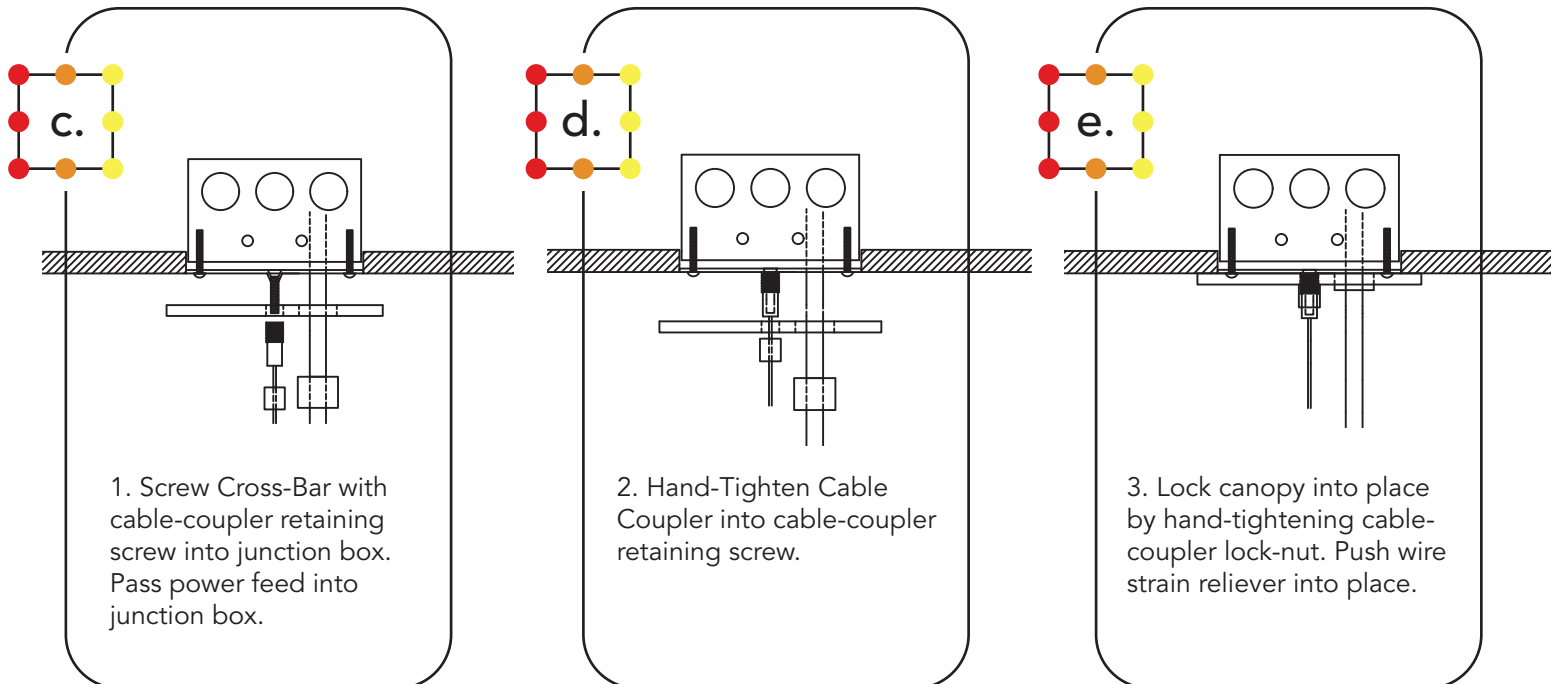




LVLBPX-YY-ZZZZ
Cable/Suspension Mounting
Finished Ceiling/Drywall

Power Feed End Installation

1. Appropriately position junction-box in ceiling. Junction box should be regressed at least 3/16" into ceiling or properly anchored into ceiling. See Cross Section.
2. Pass Cable-Coupling Retaining Screw through cross-bar.
3. Pass power-cable through 5" Round Canopy using provided wire strain-reliever (do not engage at this stage).
4. Cut Excess wire and make electrical connections (power should be off).
5. Screw Crossbar into place.
6. Prepare cable-coupler with aircraft cable by passing 1/16" aircraft cable through cable-coupler. The end with stopper sits inside of the cable-coupler.
7. Position 5" Round Canopy into place, slide over cable-coupling retaining screw (attached to crossbar) and hold against ceiling.
8. Tighten Cable-Coupler with the cable-coupler retaining screw.
9. Secure Power-Feed to 5" round canopy using the provided strain reliever.
10. Secure 5" round canopy into place by hand tightening cable-coupler lock-nut into place.

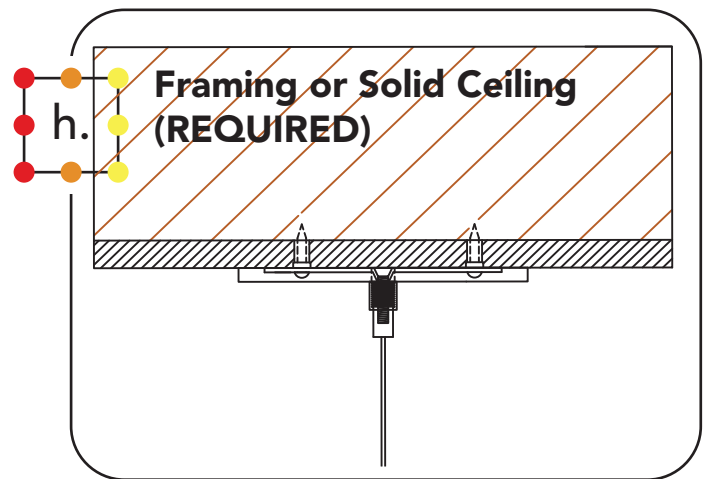
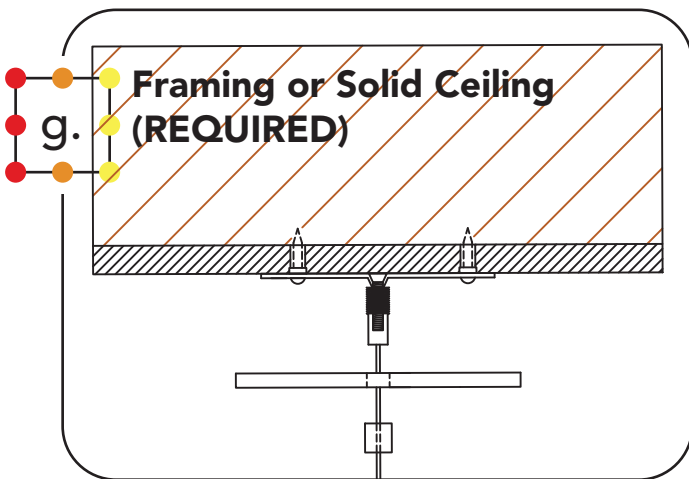
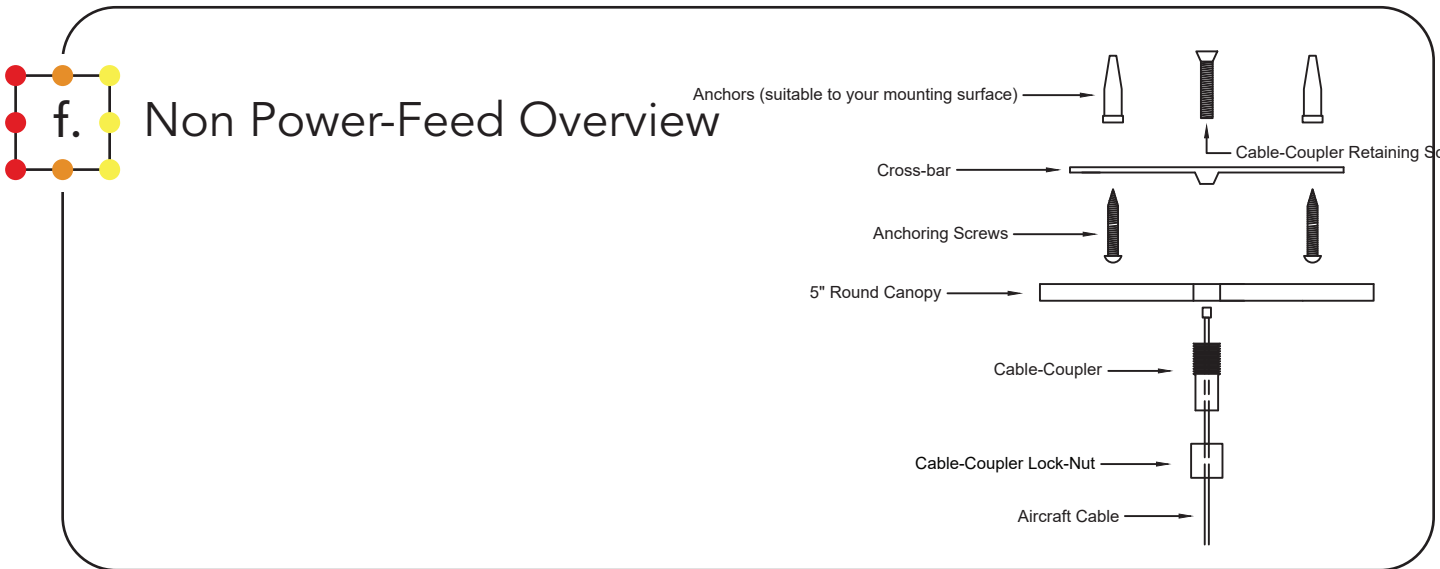




LVLBPX-YY-ZZZZ
Cable/Suspension Mounting
Finished Ceiling/Drywall

Non-Power Feed End Installation

1. Using marked anchoring position obtained from table above and insert anchors appropriate to your mounting surface into place.
2. Pass aircraft-cable through non-power feed cable-coupler (end with stopper sits in cable coupler).
3. Pass anchoring screw through cable-coupler lock nut.
4. Position 2" non-power feed canopy in place, hold against ceiling.
5. Screw anchoring screws through 2" round canopy and lock-nut to hold canopy into place.
6. Hand-tighten cable-coupler and aircraft-cable assembly into lock nut anchored into place.





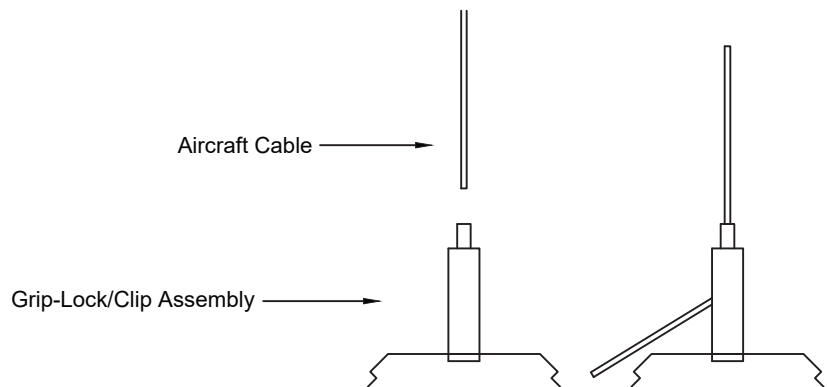
LVLBPX-YY-ZZZZ
Cable/Suspension Mounting
Finished Ceiling/Drywall

Installing Suspended Fixture (Minimum 2 Persons suggested for this step)

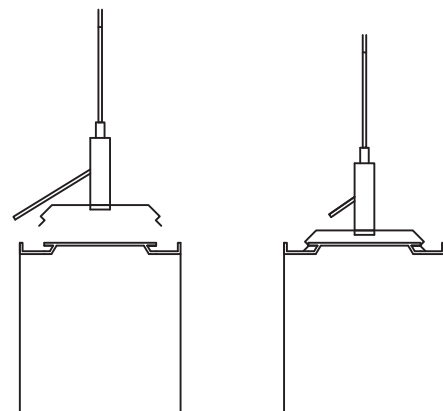
1. Pass aircraft cable through cable-grips. Cable grip allows you to adjust aircraft cable height by pushing down on the enter-piece. Left-over aircraft cable exits from side as shown.
2. Hold Channel into place. Fasten mounting clips onto fixture See Figure B. Repeat for other non-power-feed cable-assemblies.
3. Place a level on the top of the fixture. Level using the adjustable cable-grips.
4. Once desired position has been determined cut excess aircraft cable hanging out of cable-grip. Leave 1/2" of cable hanging out of grip.
5. Using provided zip-ties secure power-feed to aircraft cable.



- i. 1. Insert Aircraft cable into grip-lock/clip assembly by pushing down on top piece. Leave excess cable hanging out of side.



- j. 2. Mount Grip-Lock/Clip - Assemble onto fixture by snapping into place on fixture mounting track. (**Note: Clip cannot be removed once fastened without resulting in permanent damage.**) Once fixture height is set and leveled cut excess aircraft cable. Leave a minimum of 0.50" of aircraft cable hanging off for safety.



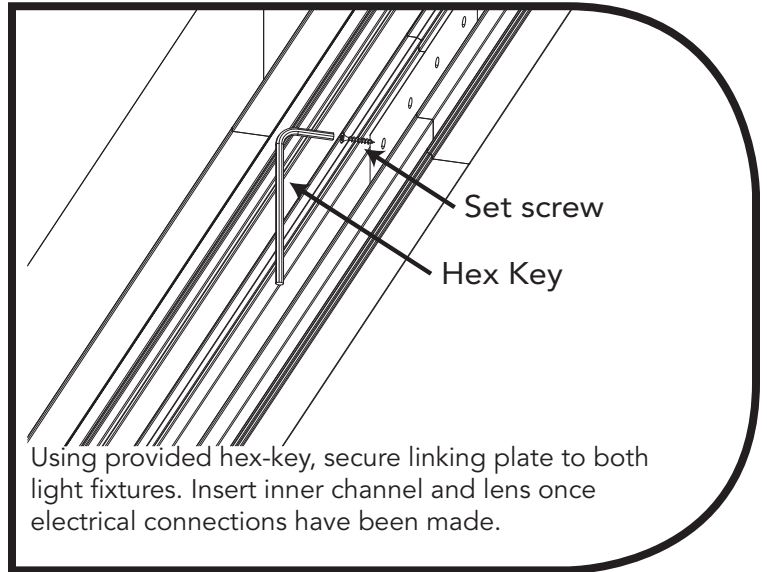
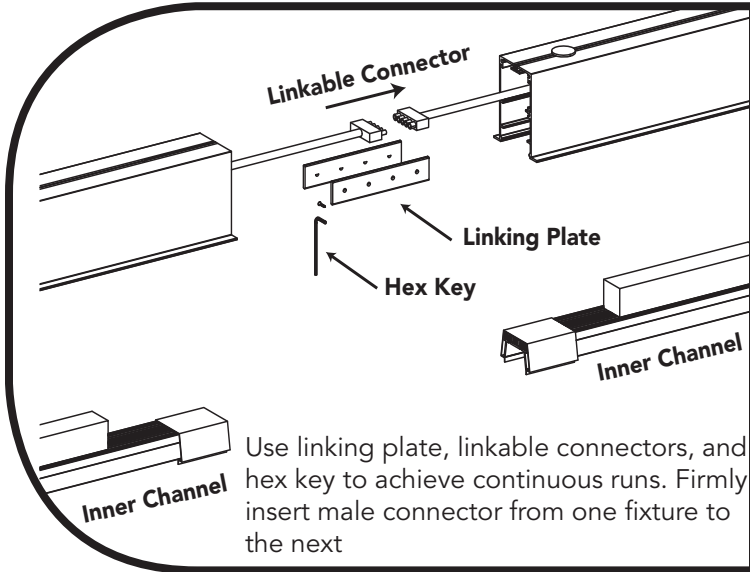
Installation Instructions



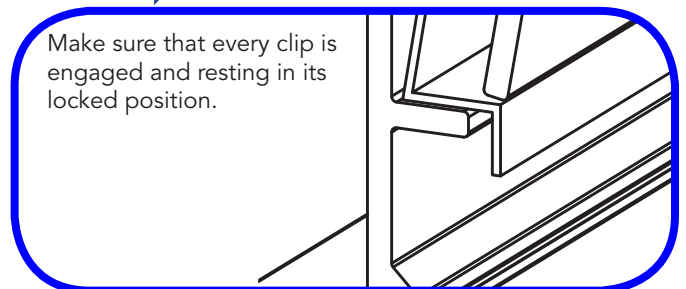
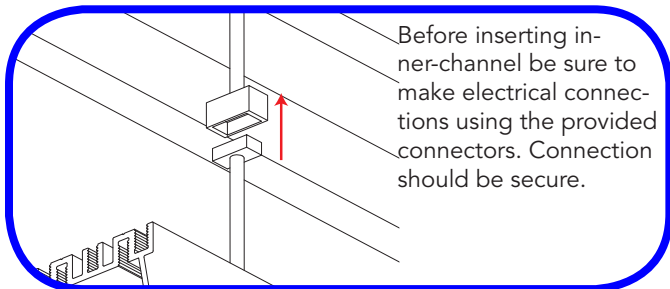
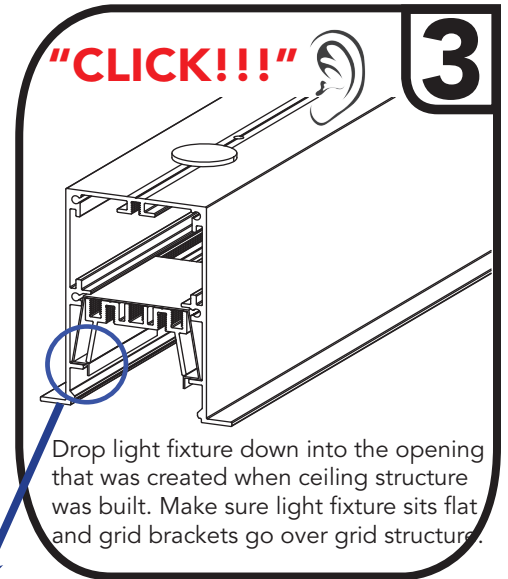
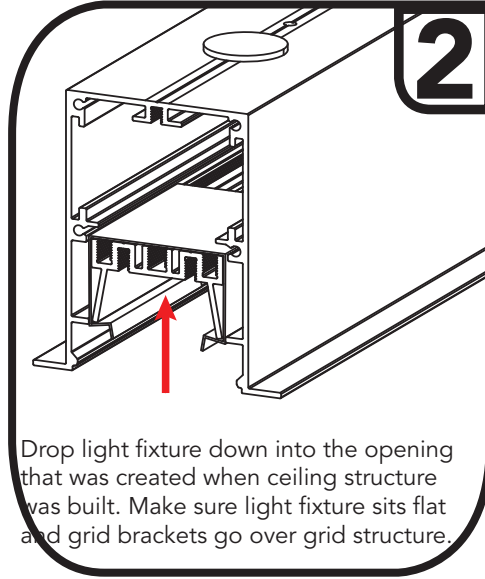
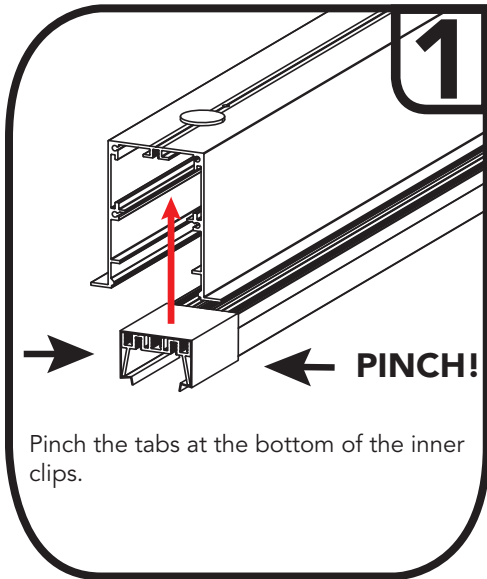
LVLBPXX

120-277 or 347VAC Pendant Linear Light Fixture

Linkable/Continuous Run Connections



Inner Clip Connection





LVLBPX-YY-ZZZZ
 Cable/Suspension Mounting
 Finished Ceiling/Drywall



DANGER! Fire or Electrical Shock

Fixture should be installed by a qualified electrician. This fixture is intended for installation according to the National Electrical Code, local & federal code specifications. Disconnect power before servicing. Keep these instructions for maintenance reference.

Wire Coloring Legend

0-10V Dimming

Color	Connection
BLACK	HOT
WHITE	NEUTRAL
GREEN	GROUND
GRAY	Dim -
PURPLE	Dim +

Make electrical connections in junction box using the supplied color legend. Attach canopy ground wire to a suitable point in junction box, per NEC and local codes.